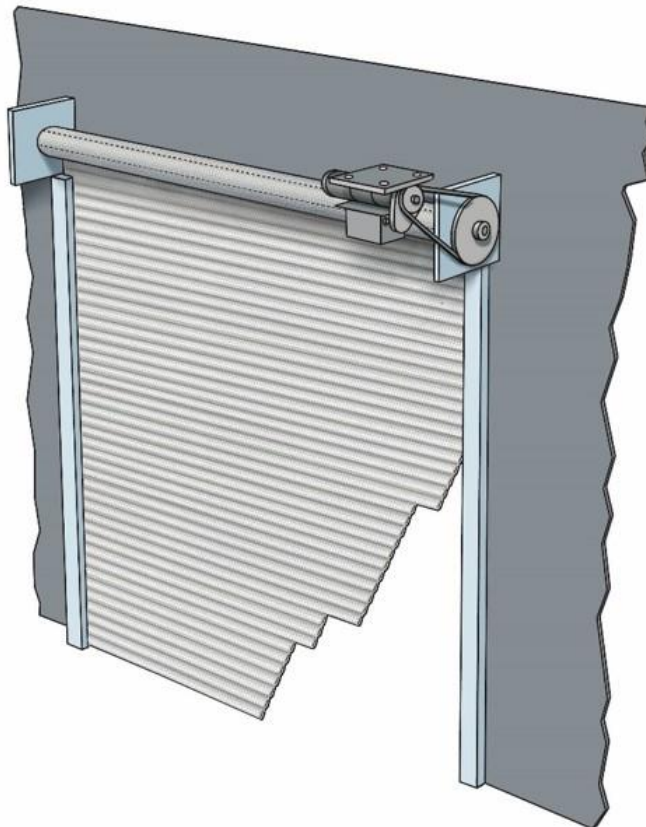


FIRE ROLLER SHUTTER A-60 SLIMLINE FABRIC

PRODUCT OVERVIEW



Safety

- > Curtain made of high-temp. resistant fabric.
- > Fall arrestor according to EN 12604.
- > Shutter will close without electrical power in case of fire (gravity failsafe).
- > Release device delivered with backup battery to keep the shutter open, even in case of main power supply failure for up to 1 hour.
- > Shutter only for bulkhead closure.

Interfaces

- > Connection to Central Fire Alarm system:
 - > Open indication
 - > Close indication
 - > General alarm
 - > Remote closing

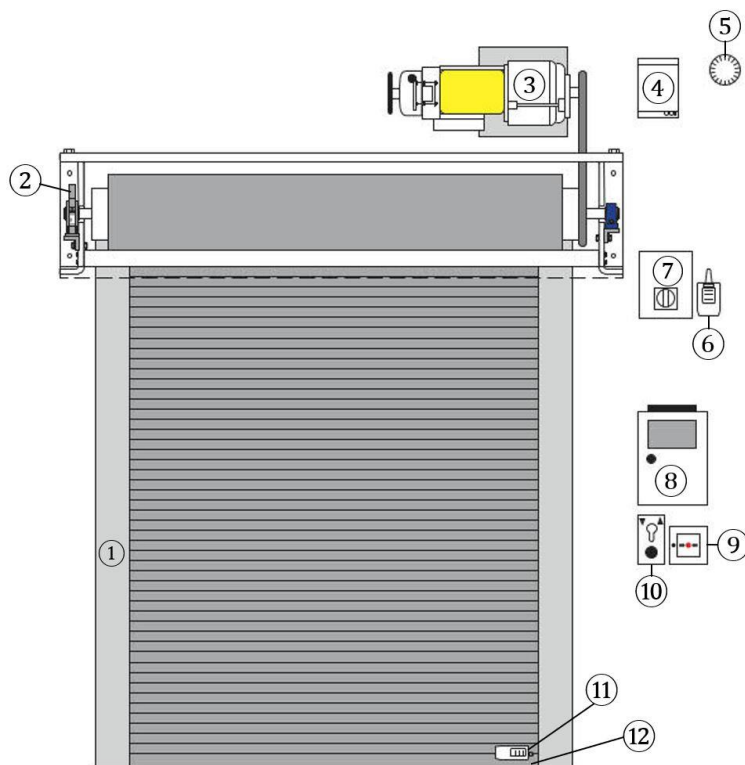
Services

- > Pre-assembled for simplified installation.
- > Including technical evaluation of requirements and SOLAS standards.
- > Worldwide installation according to our service conditions, if required.
- > Worldwide service and supply of spare parts, maintenance and repair.

Documentation

- > Certificates (DNV/GL Module B & D, SDoC, DoC)
- > Instruction manuals
- > Maintenance manuals
- > Drawings
- > Spare part lists

FIRE ROLLER SHUTTER A-60 SLIMLINE FABRIC



- ① Guide
- ② Fall arrester
- ③ Drive
- ④ Pneumatic reset system
- ⑤ Siren with flashlight
- ⑥ Receiver safety contact bar
- ⑦ Transformer with main switch
- ⑧ Control unit
- ⑨ Release button
- ⑩ Key switch (1/ 0/ 2)
- ⑪ Transmitter safety contact bar
- ⑫ Safety contact bar

Technical details

Available materials:	> Galvanized steel > AISI 304
Drive type:	Chain-drive

Size range

Min. size:	c/o 1.000 mm x c/h 1.000 mm
Max. size:	c/o 4.360 mm x c/h 4.150 mm
Max. surface:	18 m ²

Picture shows Fire Roller Shutter A-60 SlimLine Fabric with chain drive. Smaller versions are available with tubular drive.

The fire protection must give the emergency services the possibility to fight against the fire. To ensure this, KAEFER offers an array of solutions, which meet the highest quality and safety standards for fire protection.

Power supply

Operation voltage:	400/440 V AC, 50/60 Hz
--------------------	------------------------

Closing speed

Max. 15 cm/s

Certification

Module B	MEDB00002YA
Module D	MEDD00000DN

Fire Safety Products from KAEFER are used on more than 600 vessels (cruise ships, mega yachts, ferries).

All products complies the Hong Kong International Convention requirements.



Contact details

KAEFER Schiffsausbau GmbH
Getreidestr. 3
28217 Bremen

Mr. Jan-Timo Kolthammer
+49 421 6109 199
firedoors@kaefer.com

Visit our website or watch our product video for more information.

If you have any further questions, do not hesitate to contact us.



www.kaefer.com



Product video