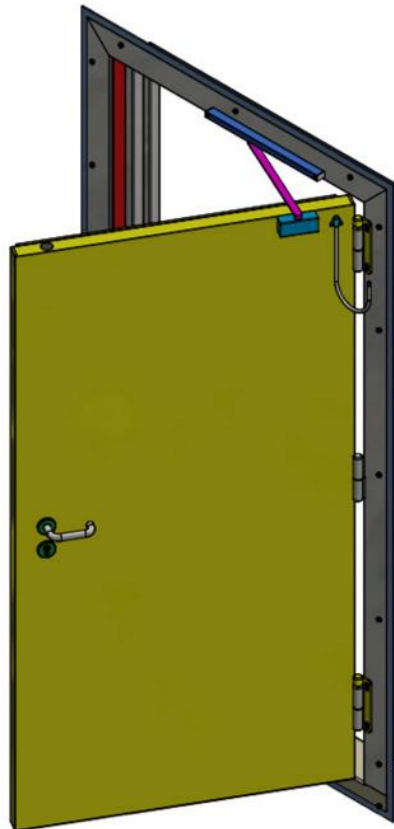


# FIRE HINGED DOOR A-60 FOR FREEZER & COLD ROOMS

## PRODUCT OVERVIEW



### Construction

- > Light weight construction.
- > According to USPH regulations.
- > Powder coated surface RAL, if required.
- > Easy installation and maintenance.

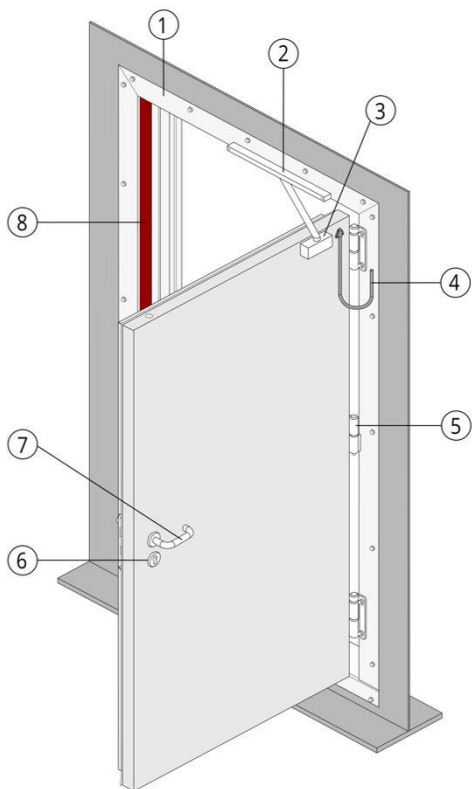
### Services

- > Pre-assembled for simplified installation.
- > Europe-wide service, installation, maintenance and repair according to our service conditions, if required.
- > Worldwide supply of spare parts.

### Documentation

- > Certificates (DNV/ GL Module B & D, SDoC, DoC).
- > Instruction and maintenance manuals.
- > Drawings.
- > Spare part lists.

# FIRE HINGED DOOR A-60 FOR FREEZER & COLD ROOMS



- ① Frame
- ② Guide rail with integrated opening limiter
- ③ Swivel joint
- ④ Door leaf heating (option)
- ⑤ Set door leaf hinges
- ⑥ Door lock with panic function
- ⑦ Set door handle
- ⑧ Intumescent strip

Technical details	
Available materials:	<ul style="list-style-type: none"> <li>&gt; AISI 304</li> <li>&gt; AISI 316</li> <li>&gt; Powder coated surface RAL</li> </ul>

Size range	
Max. size:	c/o 1.430 mm x c/h 2.100 mm
Max. surface:	3,4 m <sup>2</sup>

The fire protection must give the emergency services the possibility to fight against the fire.

To ensure this, KAEFER offers an array of solutions, which meet the highest quality and safety standards for fire protection.

Power supply door leaf heating (Freezer doors, option)	
Operation voltage:	230 V AC, 50/60 Hz

Certification	
Module B	MEDB00004T8 MEDB00004TA
Module D	MEDD00000DN

Fire Safety Products from KAEFER are used on more than 600 vessels (cruise ships, mega yachts, ferries).

All products complies the Hong Kong International Convention requirements.



## Contact details

KAEFER Schiffsausbau GmbH  
Am Lunedeich 15  
27572 Bremerhaven

Mr. Hans-Joachim Adebahr  
+49 471 7995 218  
freezerdoors@kaefer.com

Visit our website or watch our product video for more information.

If you have any further questions, do not hesitate to contact us.



www.kaefer.com



Product video